

# symo



# MACSYMO

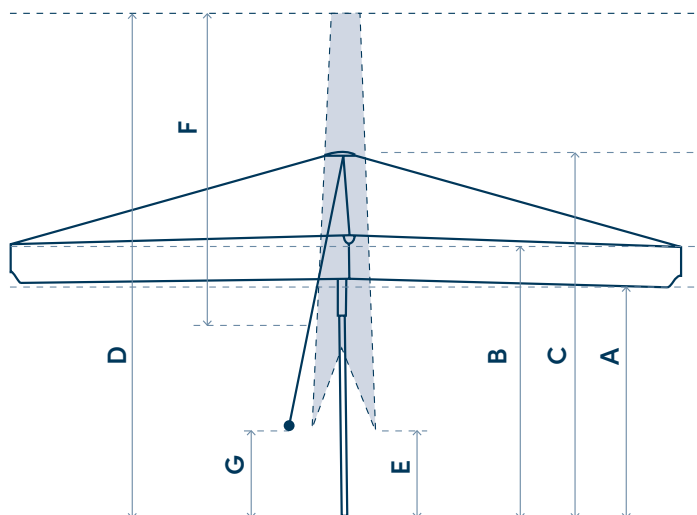


**STRONG PARASOLS  
FOR PROFESSIONALS**

[www.symoparasols.com](http://www.symoparasols.com)

# MACSYMO

## Technical details

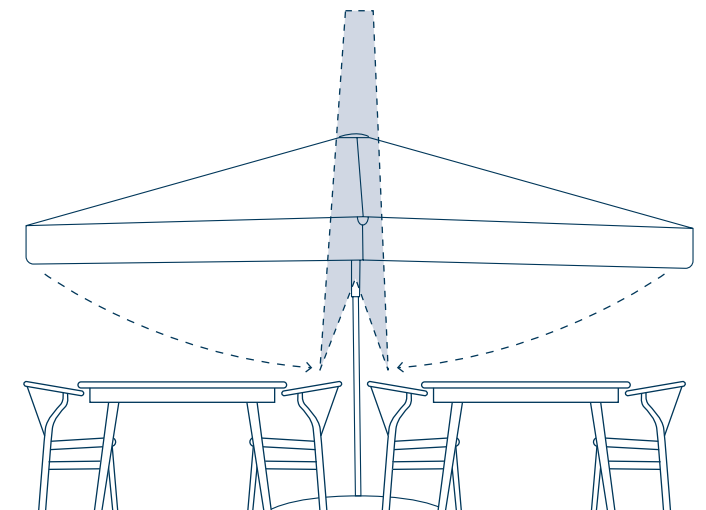
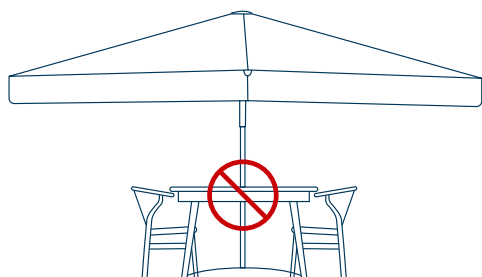


PARASOL		3 x 3 m	3,5 x 3,5 m	4 x 4 m	4,5 x 4,5 m	5 x 5 m	4 x 3 m	5 x 4 m
Shape								
Dimensions	A - Height to valance	195 cm	195 cm	195 cm	195 cm	195 cm	195 cm	195 cm
	B - Height to rib	220 cm	220 cm	220 cm	220 cm	220 cm	220 cm	220 cm
	C - Height open	285 cm	305 cm	304 cm	320 cm	330 cm	305 cm	315 cm
	D - Height closed	370 cm	390 cm	440 cm	450 cm	460 cm	405 cm	450 cm
	E - Free height closed	145 cm	130 cm	140 cm	120 cm	95 cm	150 cm	120 cm
	F - Max. storage length	230 cm	260 cm	295 cm	330 cm	365 cm	255 cm	330 cm
	G - Free height to push pole	89,5 cm	99,5 cm	58,5 cm	34,5 cm	44,5 cm	59,5 cm	29,5 cm
	Net weight	28 kg	32 kg	46 kg	50 kg	60 kg	50 kg	60 kg
	Brut weight	36 kg	40 kg	54 kg	60 kg	70 kg	60 kg	70 kg
	Packaging size	275 x 45 x 42 cm			380 x 36 x 30 cm			
Shade area (m <sup>2</sup> )	9 m <sup>2</sup>	12,55 m <sup>2</sup>	16 m <sup>2</sup>	20,25 m <sup>2</sup>	25 m <sup>2</sup>	12 m <sup>2</sup>	20 m <sup>2</sup>	
Fabric	Fabric colours	Orchestra: See colours on fabrics sheet						
Frame	Pole	Stainless steel - 60 x 2 mm						
	Material	Aluminium & stainless steel - Powder coated White RAL 9010 or black RAL 9005 (Other colours on request)						
	Handle	Unique telescopical operation system with push-up handle						
	Aluminium ribs 30 x 20 x 2 mm	8	4	4	4	4	4	4
	Stainless steel ribs 30 x 20 x 2 mm	-	4	4	4	4	4	4
Options	Fixed valances	•	•	•	•	•	•	•
	Extended parasol pole +25 cm	•	•	•	•	•	•	•
Wind resistance	7 Bft (61 km/h - 38 mph) Always install the base on a horizontal and flat surface							

### Periscope parasol

This unique system allows you to open and close the parasol without any trouble above tables & chairs.

**Parasol is not suitable for installation IN the table.**



### BASES

#### TILE BASE LUXURY 140 kg

- 89 x 89 x 12,5 cm
- 8 tiles 40 x 40 cm
- 3 separate anti rust treatments

Base options 1-2-3-4-5



#### GROUND PLATE LUXURY 17 kg

- 40 x 40 x 1 cm
- 3 separate anti rust treatments
- Must be screwed to the ground

Base options 2-4-5



#### TILE BASE LUXURY 200 kg

- 89 x 89 x 17,5 cm
- 12 tiles 40 x 40 cm
- 3 separate anti rust treatments

Base options 1-2-3-4-5



#### GROUND PLATE LUXURY 38 kg

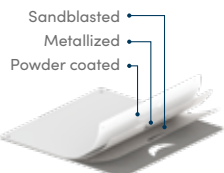
- 60 x 60 x 1 cm
- Must be screwed to the ground

Base options 2-4-5



#### TOP QUALITY

3 treatments for longer life span in heavy duty circumstances



#### INGROUND SLEEVE LUXURY

- 3 separate anti rust treatments
- Must be concreted into the ground

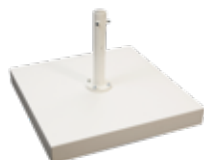
Base options 2-4-5



### BASE OPTIONS

#### 1 - COVER PLATE FOR TILE BASE

- 140/200 kg
- 90.4 x 90.4 x 10.9 / 14.9 cm
- 18 kg, 2mm steel



#### 4 - ANY RAL COLOUR



#### 2 - ANTI-THEFT SCREW AND KEY



#### 5 - TILTING DEVICE



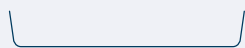
#### 3 - 4 CASTORS FOR TILE BASE

- With brakes
- Height castors 11 cm



## VALANCES

Standard valances



Curved lines



Angular lines



Woven fringes with valances



## ACCESSORIES



Side panels\*

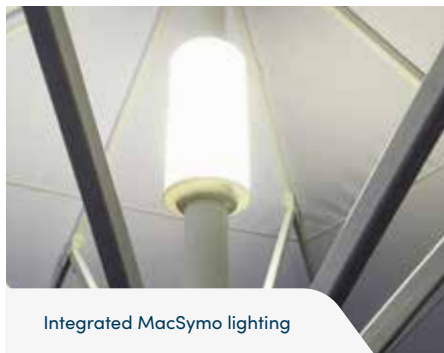


Gutter for square Macsymo Parasols



Symo LED lighting

- powered by battery or mains current
- RGB or white light



Integrated MacSymo lighting



Integrated MacSymo heating\*



Protective cover Ripstop®

\* Integrated heating + side panels cannot be combined on MacSymo 5 x 5 and 5 x 4

**symo**

**STRONG PARASOLS  
FOR PROFESSIONALS**

Industriepark Z3 Waggelwater  
Dirk Martensstraat 13 – 8200 Brugge (Belgium)  
T 32 (0) 50 32 07 95  
info@symoparasols.com  
[www.symoparasols.com](http://www.symoparasols.com)

